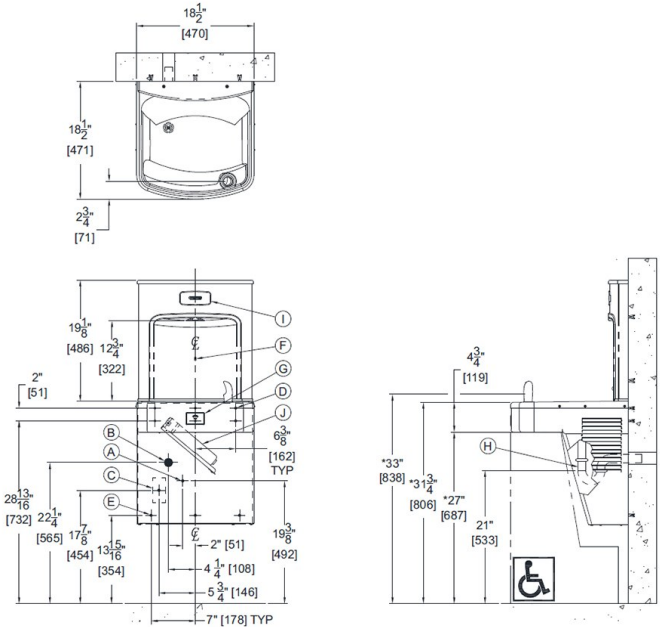


Accessible Drinking Fountain With Bottle Filler - (Non Chilled)



Product Code: ACC-DFBF

Accessible Drinking Fountain with Sensor Bottle Filler (Non-Chilled)

Product Code: ACC-DFBF

The Accessible Drinking Fountain with Sensor Bottle Filler (Non-Chilled) is an advanced hydration unit designed for accessibility in a wide range of high-traffic areas, including schools, offices, and fitness centres. This wall-mounted model is made from robust 304 stainless steel, ensuring durability, ease of cleaning, and long-term performance. The non-chilled version provides an economical solution while still offering fresh, safe drinking water via mains supply.

This combined drinking fountain and bottle filler unit features a sensor-operated bottle filler above the drinking fountain, providing hands-free operation for both filling bottles and drinking. This convenient feature helps reduce user contact and enhances hygiene.

Ideal for wheelchair users and those standing, the fountain is designed to be compliant with modern accessibility standards, making it an excellent choice for inclusive environments.

Dimensions & Specifications

Height: 971mm (including bottle filler).

Width: 470mm.

Depth: 470mm.

Material: 304 Stainless Steel.

Bottle Filling Rate: 3.79 litres per minute.

Mains Fed: Yes, continuous water supply without the need for bottled refills

Non-Chilled Water: The unit uses unchilled mains water

Supplied With

Anti-microbial push-button bubbler valve with flexible non-splash guard.

Pre-installed plumbing including Y-strainer and flow regulator.

32mm waste outlet connection.

Pre-wired transformer for bottle filling unit

Delivery Information

In Stock for Fast Dispatch.

Standard Delivery: 1 to 3 working days.

Alternative Products

[Non-Chilled Drinking Fountain \(Without Bottle Filler\).](#)
[Chilled Water Drinking Fountain \(Without Bottle Filler\).](#)
[Chilled Water Drinking Fountain with Sensor Bottle Filler.](#)

**All pictures shown are for illustration purpose only and may be subject to change without notice. Actual product may vary due to product enhancement.
All dimensions shown are for guidance only and may be subject to change or alteration without notice. All items manufactured or purchased separately from a third party to fit our products should be checked against the actual dimensions of the physical product before purchase. We will not be liable for third party costs and consequential loss associated with the items not fitting third party components.**