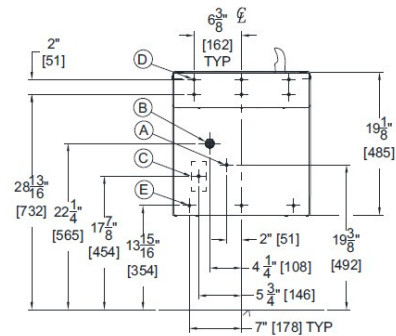
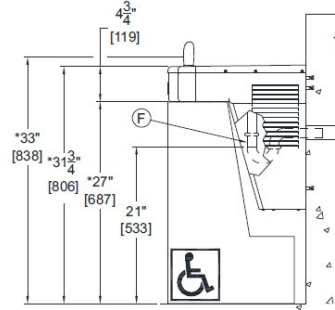


## Wall Mounted Accessible Drinking Fountain (Non Chilled)



Product Code: ACCDF

### Wall-Mounted Accessible Drinking Fountain – Non-Chilled

Product Code: ACCDF

The ACCDF Wall-Mounted Accessible Drinking Fountain (Non-Chilled) is a commercial-grade hydration unit designed to meet modern accessibility standards. Constructed from premium grade 304 stainless steel, it delivers long-lasting performance in schools, offices, sports facilities and industrial premises.

This non-chilled fountain provides reliable mains-fed drinking water and features an antimicrobial activation button for hygienic operation. Its design allows installation at standard or junior height, making it an adaptable option for various environments.

### Dimensions & Specifications

Height: 485mm (excluding bubbler)

Width: 470mm

Depth: 470mm

Material: 304 grade stainless steel

Operation: Anti-microbial push-button bubbler

Water Type: Unchilled mains-fed supply

### Supplied With

Anti-microbial bubbler valve with flexible guard

Pre-plumbed Y-strainer and flow adjuster

32mm waste fitting

### Delivery

In stock for fast turnaround

Standard delivery: 1–3 working days

### Alternative Products

[Sensor-operated bottle filler version](#) non chilled

[Chilled wall-mounted fountain](#)

[Chilled fountain with bottle filler](#)

\*\*All pictures shown are for illustration purpose only and may be subject to change without notice. Actual product may vary due to product enhancement.

All dimensions shown are for guidance only and may be subject to change or alteration without notice. All items manufactured or purchased separately from a third party to fit our products should be checked against the actual dimensions of the physical product before purchase. We will not be liable for third party costs and consequential loss associated with the items not

fitting third party components.\*\*