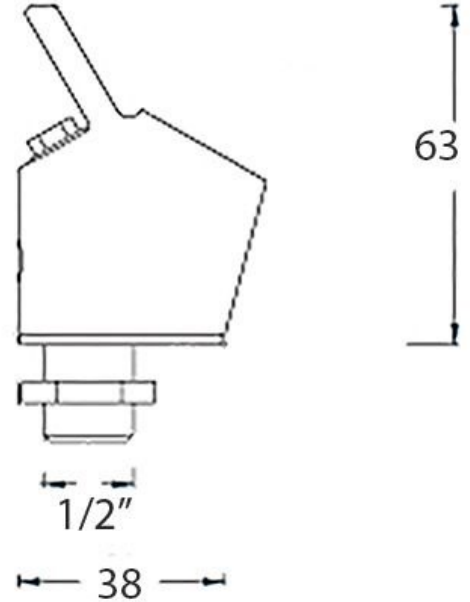


WRAS Approved Handsfree Bubbler Tap



Product Code: HANDSFREE-BUBBLER

Handsfree Replacement Bubbler Valve Tap

Product Code HANDSFREE-BUBBLER

Our replacement handsfree drinking fountain bubbler valve tap is ideal to replace faulty taps on existing drinking water fountains. The bubbler is to be used with a foot pedal. The bubbler tap will fit most drinking fountains including our own.

To ensure the proper functioning and longevity of this unit, a Y-strainer must be installed as part of the water supply system. The Y-strainer is essential for protecting the internal components and maintaining the correct flow characteristics of the tap. Failure to install a Y-strainer will result in the warranty being void.

Supplied with:

Chrome plated brass drinking fountain bubbler valve tap.
1/2" BSP tail.
1/2" brass back nut and rubber washer.
Adjustable flow control.

Delivery

From stock 1 to 2 working days.

**All pictures shown are for illustration purpose only and may be subject to change without notice. Actual product may vary due to product enhancement.
All dimensions shown are for guidance only and may be subject to change or alteration without notice. All items manufactured or purchased separately from a third party to fit our products should be checked against the actual dimensions of the physical product before purchase. We will not be liable for third party costs and consequential loss associated with the items not fitting third party components.**